



BOSCH



Bosch
HSE420120
Free-standing electric cookers

Predecessor:

Successor:

EAN code:
4242002523811

sales programme:

HSE420120 Free-standing electric cookers White

Features

- Hob with 2 high-speed and 2 standard hotplates
- front left: High speed plate 2 KW
- rear left: Standard zone 1 KW
- rear right: Standard zone 2 KW
- front right: High speed plate 1.5 KW
- Conventional oven
- Extra large capacity oven (72 l) with grey enamel
- Catalytic back-/sideliners and roof
- Multifunction heating system
- 4 cooking functions: Top/bottom heat, Bottom heat, Full width variable grill, Half width variable grill
- Maximum window temperature 50° C
- Child safety lock: key function
- Oven illumination
- Shelf support rails
- Full glass inner door
- Drawer for kitchen utensils
- Adjustable feet

Technical Information

- Dimensions of the product (HxWxD): 850 x 600 x 600 mm
- Gross Weight: 46.1 kg
- Connection load: 9300 W
- Telescopic rails retrofittable
- Maximum window temperature 50° C

Included accessories

1 x enamel baking tray, 1 x grid

Optional accessories

- HEZ317000 Pizza pan
- HEZ319903 Metall cover plate
- HEZ324000 Inlaid wire shelf for multipurpose pan
- HEZ325000 Grill tray
- HEZ327000 Pizza stone
- HEZ331003 Enamelled baking tray
- HEZ331011 Baking tray, anti-adherent coating
- HEZ332003 Multipurpose pan
- HEZ332011 Multipurpose pan, anti-adherent
- HEZ333001 Lid for professional pan
- HEZ333003 Professional pan
- HEZ334000 Wire shelf
- HEZ338250 2 level telescopic shelf rails
- HEZ915001 Glass roasting dish, 5,1 L

Alternative colors available

Technical Data

Characteristics

Built-in / Free-standing : Free-standing
 Color / Material Front : White
 Dimensions of the product (mm) : 850 x 600 x 600
 Net weight (kg) : 42.000
 Gross weight (kg) : 46.000
 Cooking method first cavity : Bottom heat, Conventional heat, Full width variable grill, Half width variable grill
 Integrated Cleaning system - cavity 1 : Easy to clean enamel
 Included accessories cavity 1 : 1 x enamel baking tray, 1 x grid
 Storage compartment - cavity 1 : Yes
 Broil Element Wattages cavity 1 (W) : 2800
 Power of 1st heating element (kW) : 2
 Power of 2nd heating element (kW) : 1

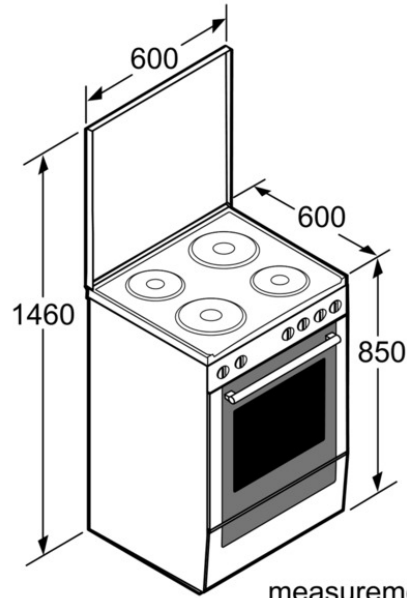
Consumption and connection features

Energy consumption conventional (kWh) - cavity 1 : 0.79
 Electrical connection rating (W) : 9300
 Voltage (V) : 220-240
 Frequency (Hz) : 50-60
 Plug type : fixed connection
 Color / Material Front : White
 Energy input : Electric
 Approval certificates : CE
 Gross weight (lbs) : 102
 Dimensions of the product (mm) : 850 x 600 x 600

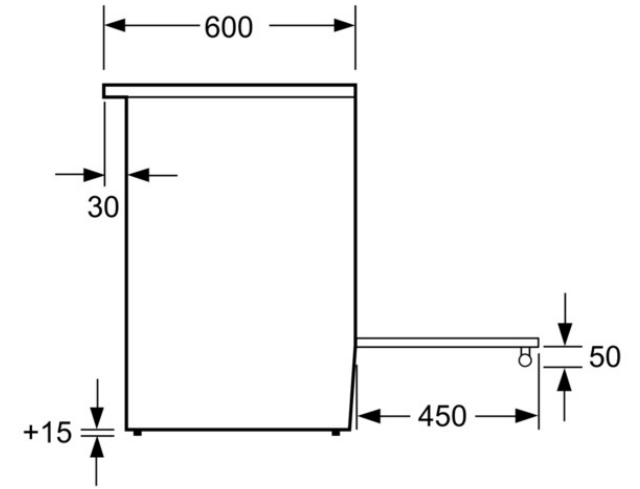


BOSCH

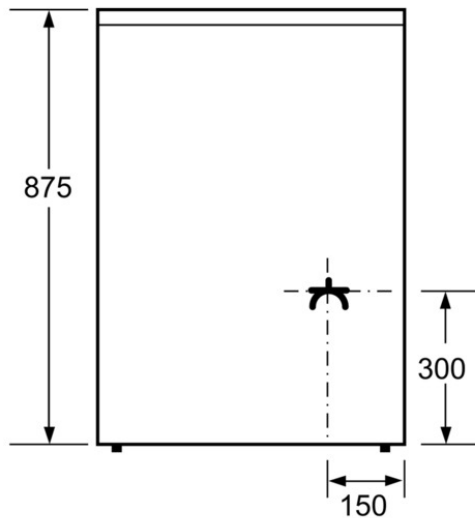
HSE420120
Free-standing electric cookers White



measurements in mm



measurements in mm



measurements in mm