



# BOSCH



Bosch  
WTE84106GB  
Tumble dryer

Predecessor:

Successor:

EAN code:  
4242002764603

sales programme:

### WTE84106GB Classixx 7 Condenser dryer

#### Main features

- Capacity: 7 kg
- Dryer type: Condenser
- Energy efficiency class: B
- Electronic humidity control
- Energy consumption 504.0 kWh per year, based on 160 drying cycles of the standard cotton programme at full and partial load, and the consumption of the low-power modes. Actual energy consumption per cycle will depend on how the appliance is used
- Weighted programme time of the standard cotton programme at full and partial load: 97 min.
- Programme time of the standard cotton programme at full load 124 min and programme time of the standard cotton programme at partial load 76 min.
- Condensation efficiency class B on a scale from G (least efficient) to A (most efficient).
- Weighted condensation efficiency for the standard cotton programme at full and partial load: 89 %.
- Noise level: 66 dB (A) re 1 pW

#### Programmes

- Special programmes: sportswear, 20min warm, Super 40

#### Options

- Anti crease cycle 120 min at the end of the programme
- Touch control buttons: Start/Stop, Low Heat

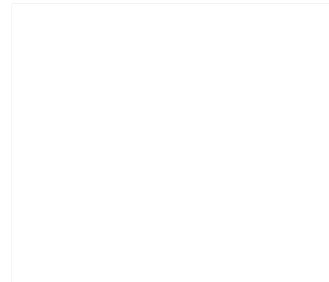
#### Convenience and Safety

- DUO-Tronic
- Active flow drying system: Big Galvalume with textile care structure, soft design paddles
- LED programme progress indicator and service notes
- Fully electronic control dial for sensor drying programmes, timed and special programmes
- AntiVibration Design: More stable and silent
- Protection filter for condensor
- Round door, door hinge on right white
- Door hinge: right-hand
- Metal door closing hook

#### Technical information

- Dimensions (H x W x D): 84.2 x 59.8 x 63.9 cm
- can be built-under

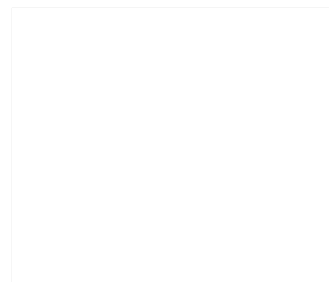
#### Included accessories



#### Optional accessories

- WMZ20500 Platform with pull-out
- WTZ10290 Cover plate
- WTZ1110 Condenser drainage kit
- WTZ11300 Stacking kit with pollout shelf
- WTZ11310 Connection set

#### Alternative colors available



#### Technical Data

##### Characteristics

Built-in / Free-standing : Free-standing  
Removable top : Yes  
Door hinge : Right  
Color / Material body : White  
Length electrical supply cord (cm) : 145.0  
Height of removable worktop (mm) : 819  
Dimensions of the product (mm) : 842 x 598 x 639  
Net weight (kg) : 45  
Drum volume (l) : 112

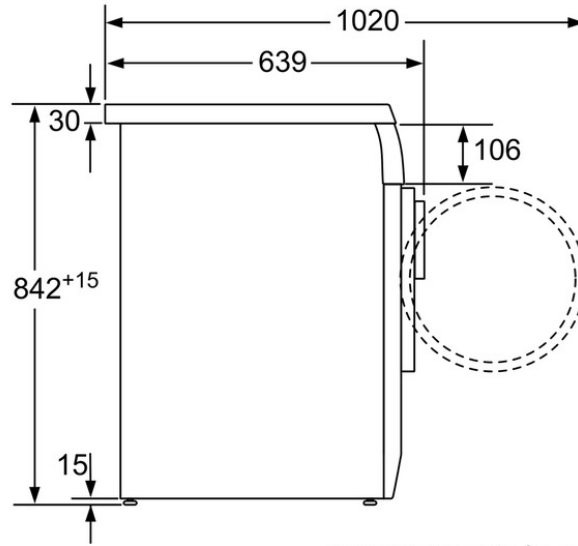
##### Consumption and connection features

Connection Rating (W) : 2600  
Current (A) : 13  
Voltage (V) : 220-240  
Frequency (Hz) : 50  
Approval certificates : CE, VDE  
Drying process : automatic  
Capacity cotton (kg) - NEW (2010/30/EC) : 7.0  
Standard cotton programme : Cotton cupboard dry  
Energy efficiency class - NEW (2010/30/EC) : B  
Energy consumption electric dryer, full load - NEW (2010/30/EC) (kWh) : 4.20  
Standard cotton programme time at full load (min) : 124  
Energy consumption electric dryer, partial load - NEW (2010/30/EC) (kWh) : 2.30  
Standard cotton programme time at partial load (min) : 76  
Weighted annual energy consumption, electric dryer - NEW (2010/30/EC) (kWh) : 504.0  
Power consumption in off-mode - NEW (2010/30/EC) : 0.10  
Power consumption in left-on mode - NEW (2010/30/EC) : 1.00  
Duration of the left-on mode - NEW (2012/30/EC) (min) : 0  
Weighted programme time (min) : 97  
Condensation efficiency class - NEW (2010/30/EC) : B  
Average condensation efficiency full load (%) : 89  
Average condensation efficiency partial load (%) : 89  
Weighted condensation efficiency (%) : 89

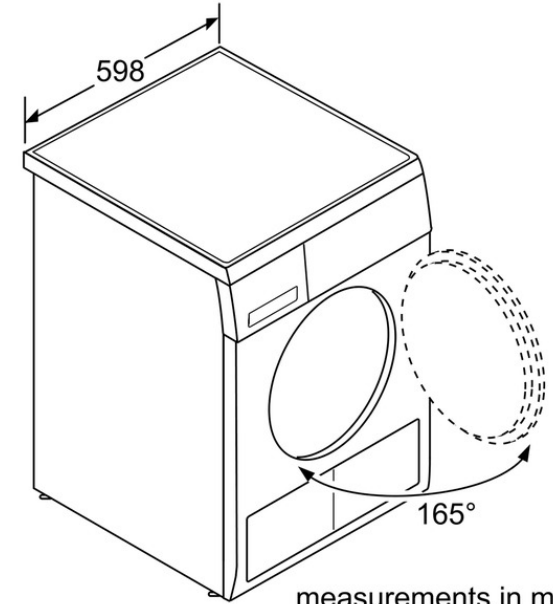


**BOSCH**

WTE84106GB  
Classixx 7  
Condenser dryer



measurements in mm



measurements in mm