



BOSCH



WTW86561GB
EcoLogixx 7 SelfCleaning Condenser
tumble dryer with heat pump

- Capacity: 7 kg
- Programmes**
 - Special programmes: woollen finish, sportswear, Super 40, Time program warm, Time program cold
 - Anti crease cycle 120 min at the end of the programme
- Convenience and Safety**
 - SelfCleaning Condenser
 - ActiveAir Technology
 - DUO-Tronic
 - Touch control buttons: Start/Stop, Low Heat, less ironing, menu, Change
 - Fully electronic control dial for sensor drying programmes, timed and special programmes
 - LC display for remaining time, time delay, programme progress indication, special functions and service hints
 - Active flow drying system: Big Stainless steel with textile care structure, soft design paddles
 - AntiVibration Design: More stable and silent
 - Drum interior light
 - Childproof door lock
 - Buzzer to indicate the end of cycle
 - Glass door, door hinge on right Alu-Look, anthracite-grey
 - Door hinge: Right-hand
 - Metal door closing hook
- Technical information**
 - Noise level drying (db): 65
 - Dimensions (H x W x D): 84.2 x 59.8 x 63.9 cm

Bosch
 WTW86561GB
 Tumble dryer

Predecessor:

Successor:

EAN code:
 4242002708553

sales programme:

Included accessories

Optional accessories

- WMZ20500 Platform with pull-out
- WTZ10290 Cover plate
- WTZ11300 Stacking kit with pollout shelf
- WTZ11310 Connection set

Alternative colors available

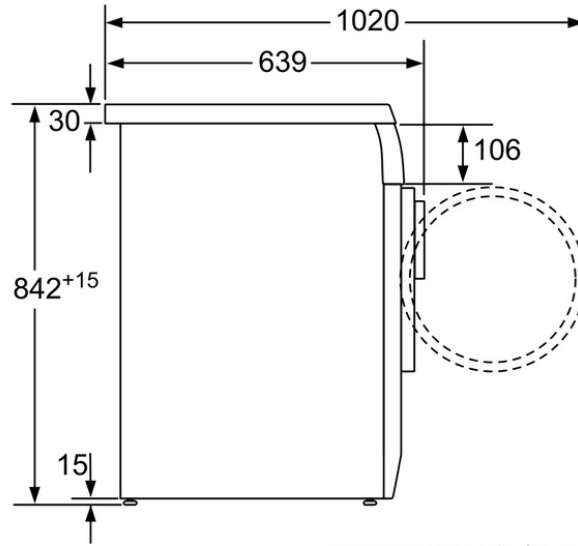
Technical Data

Characteristics
 Built-in / Free-standing : Free-standing
 Removable top : Yes
 Door hinge : Right
 Color / Material body : White
 Length electrical supply cord (cm) : 145.0
 Height of removable worktop (mm) : 819
 Dimensions of the product (mm) : 842 x 598 x 639
 Net weight (kg) : 55
 Drum volume (l) : 112

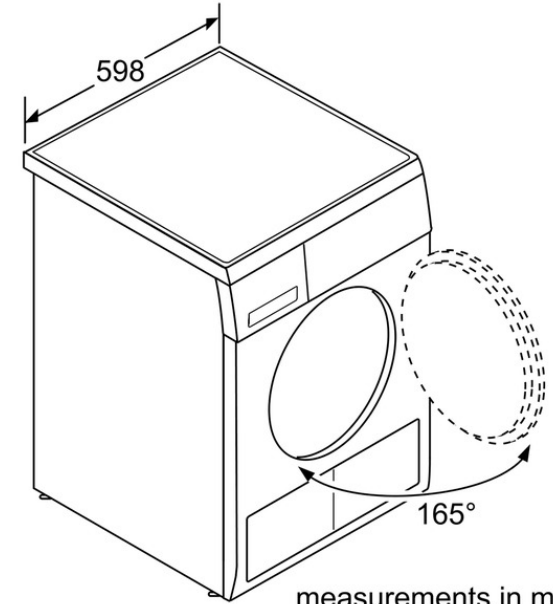
Consumption and connection features
 Connection Rating (W) : 1000
 Current (A) : 10
 Voltage (V) : 220-240
 Frequency (Hz) : 50
 Approval certificates : CE, VDE
 Drying process : automatic
 Capacity cotton (kg) - NEW (2010/30/EC) : 7.0
 Standard cotton programme : Cotton cupboard dry
 Energy efficiency class - NEW (2010/30/EC) : A+
 Energy consumption electric dryer, full load - NEW (2010/30/EC) (kWh) : 1.85
 Standard cotton programme time at full load (min) : 155
 Energy consumption electric dryer, partial load - NEW (2010/30/EC) (kWh) : 1.13
 Standard cotton programme time at partial load (min) : 100
 Weighted annual energy consumption, electric dryer - NEW (2010/30/EC) (kWh) : 236.0
 Power consumption in off-mode - NEW (2010/30/EC) : 0.10
 Power consumption in left-on mode - NEW (2010/30/EC) : 1.00
 Duration of the left-on mode - NEW (2012/30/EC) (min) : 0
 Weighted programme time (min) : 124
 Condensation efficiency class - NEW (2010/30/EC) : B
 Average condensation efficiency full load (%) : 86
 Average condensation efficiency partial load (%) : 86
 Weighted condensation efficiency (%) : 86



BOSCH



measurements in mm



measurements in mm