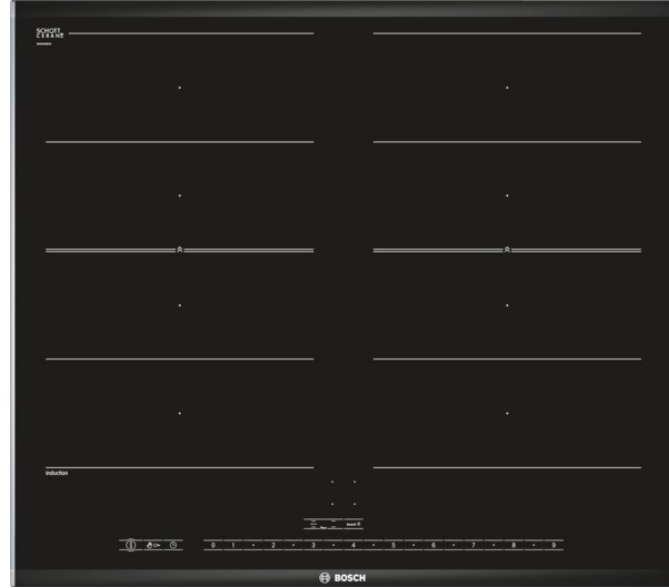




BOSCH



PIV675N17E 60 cm Induktions - Ceramic hob

Design:

- Facette front and rear, side profiles
- Can be combined with all hobs in comfort design

Comfort:

- 4 Induction zones
- 2 x 4 vector
- DirectSelect
- Electronic regulation 17 power levels
- Timer with switch-off function for all zones
- Alarm clock
- HighSpeed ceramic glass
- Wipe protection function
- Connection cable 1.1 M

Environment+safety:

- Digital 2 stage residual heat indicator per cooking zone
- Childproof lock
- Safety switch-off
- PowerManagement Function
- Main switch

Quickness:

- Boost function for all zones
- Min. worktop thickness: 20 mm
- Connected load: 7.2 kW

Included accessories

Optional accessories

- HEZ390011 Induction roaster
- HEZ390012 Steaming rack for Induction roaster
- HEZ390020 set of 1 pot and 1 pan for induction hob
- HEZ390042 set of 3 pots + 1 pan for induction hob
- HEZ390090 Wok for radiant and induction hobs
- HEZ390511 Teppan Yaki small for FlexInducion
- HEZ390512 Teppan Yaki large for Flexinduction
- HEZ390522 Griddle Plate for FlexInduction

Alternative colors available

Technical Data

Characteristics

Product name/family : Cooking zone ceramic
 Construction type : Built-in
 Energy input : Electric
 Total number of positions that can be used at the same time : 4
 Type of control setting devices : Precise Timer
 Required niche size for installation (HxWxD) : 51 x 560 x 500-490
 Width of the product (mm) : 606
 Dimensions of the product (mm) : 57.0 x 606 x 527
 Net weight (kg) : 14.000
 Gross weight (kg) : 15.000
 Location of control panel : Hob front
 Color of surface : Black, Stainless steel
 Color of frame : Stainless steel
 Approval certificates : AENOR, CE
 Length electrical supply cord (cm) : 110
 Sealed Burners : No
 heating with booster : All
 Power of 2nd heating element (kW) : 3.3
 Power of 3rd heating element (kW) : 3.3
 Power of 2nd heating element (kW in boost) : 3.6
 Power of 3rd heating element (kW in boost) : 3.6

Consumption and connection features

Electrical connection rating (W) : 7200
 Voltage (V) : 220-240
 Frequency (Hz) : 50; 60
 Main colour of product : Black
 Energy input : Electric
 Approval certificates : AENOR, CE
 Plug type : no plug
 Dimensions of the packed product (in) : 4.64 x 23.77 x 23.29
 Net weight (lbs) : 30
 Gross weight (lbs) : 32
 Total number of positions that can be used at the same time : 4
 Length electrical supply cord (cm) : 110
 Required niche size for installation (HxWxD) : 51 x 560 x 500-490
 Dimensions of the product (mm) : 57.0 x 606 x 527
 Net weight (kg) : 14.000
 Gross weight (kg) : 15.000

Bosch
 PIV675N17E
 Electric cooktop

Predecessor:

Successor:

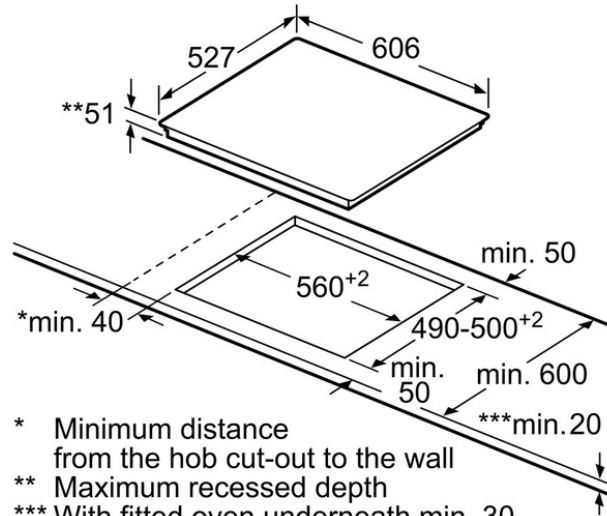
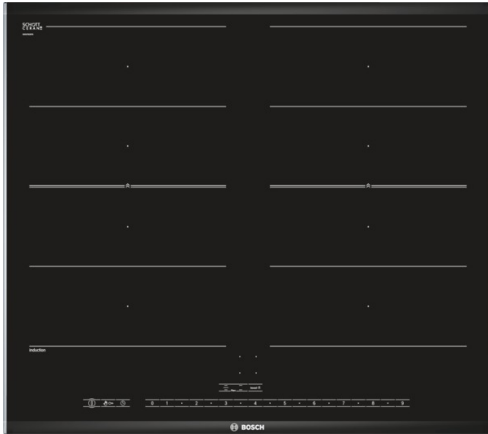
EAN code:
 4242002736426

sales programme:



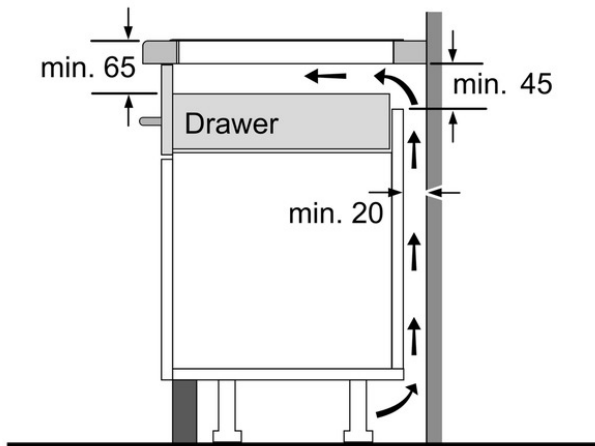
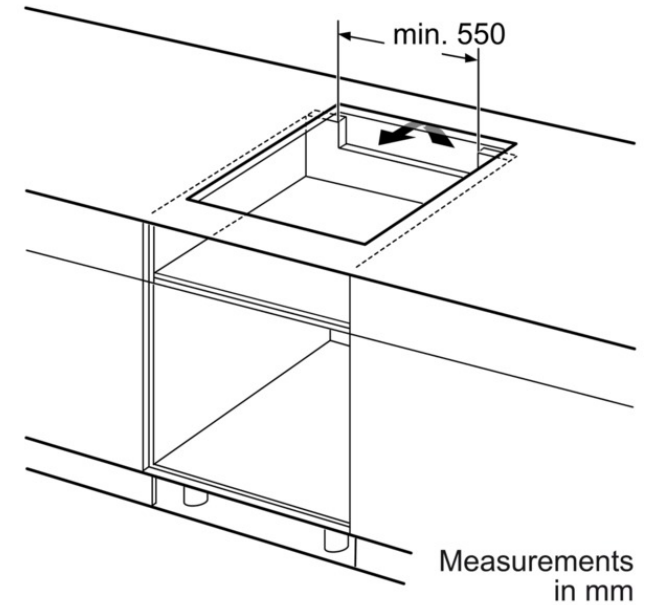
BOSCH

PIV675N17E
60 cm Induktions - Ceramic hob

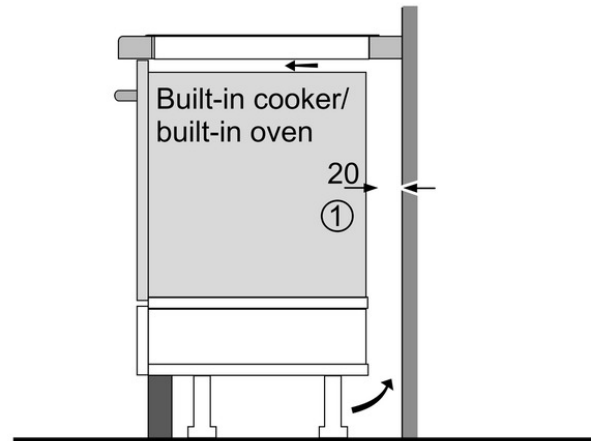


* Minimum distance from the hob cut-out to the wall
 ** Maximum recessed depth
 *** With fitted oven underneath min. 30, possibly more; see space requirements for the oven.

measurements in mm



Measurements in mm



① Ventilation gap must be present.

Measurements in mm