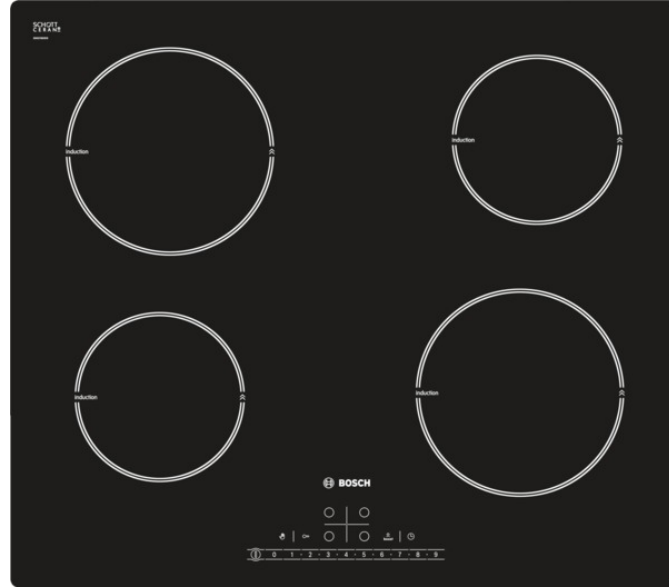




# BOSCH



## PIA611F18E 60 cm Induktions - Ceramic hob

### Design:

- Frameless design

### Comfort:

- 4 Induction zones
- Electronic regulation 17 power levels
- Timer with switch-off function for all zones
- Alarm clock
- HighSpeed ceramic glass
- Wipe protection function
- Connection cable 1.1 M

### Environment+safety:

- Digital 2 stage residual heat indicator per cooking zone
- Childproof lock
- Safety switch-off
- PowerManagement Function
- Main switch

### Quickness:

- Boost function for all zones
- Min. worktop thickness: 20 mm
- Connected load: 4.6 kW

### Included accessories

### Optional accessories

- HEZ390020 set of 1 pot and 1 pan for induction hob
- HEZ390090 Wok for radiant and induction hobs

### Technical Data

#### Characteristics

Product name/family : Cooking zone ceramic  
 Built-in / Free-standing : Built-in  
 Energy input : Electric  
 Total number of positions that can be used at the same time : 4  
 Type of control setting devices : DirectSelect 1.0 (Timer)  
 Required niche size for installation (HxWxD) : 51 x 560 x 490-500  
 Width of the product (mm) : 592  
 Dimensions of the product (mm) : 57.0 x 592 x 522  
 Net weight (kg) : 11.000  
 Gross weight (kg) : 12.000  
 Location of control panel : Hob front  
 Color of surface : Black  
 Approval certificates : AENOR, CE  
 Length electrical supply cord (cm) : 110.0  
 Sealed Burners : No  
 heating with booster : All  
 Power of 1st heating element (kW) : 1.4  
 Power of 2nd heating element (kW) : 1.8  
 Power of 3rd heating element (kW) : 1.4  
 Power of 4th heating element (kW) : 1.8  
 Power of 1st heating element (kW in boost) : 1.8  
 Power of 2nd heating element (kW in boost) : 2.5  
 Power of 3rd heating element (kW in boost) : 1.8  
 Power of 4th heating element (kW in boost) : 2.5

#### Consumption and connection features

Electrical connection rating (W) : 4600  
 Voltage (V) : 220-240  
 Frequency (Hz) : 60; 50  
 Main colour of product : Black  
 Energy input : Electric  
 Approval certificates : AENOR, CE  
 Plug type : no plug  
 Dimensions of the packed product (in) : 4.64 x 23.77 x 29.37  
 Net weight (lbs) : 24  
 Gross weight (lbs) : 25  
 Total number of positions that can be used at the same time : 4  
 Length electrical supply cord (cm) : 110.0  
 Required niche size for installation (HxWxD) : 51 x 560 x 490-500  
 Dimensions of the product (mm) : 57.0

### Alternative colors available

Bosch  
 PIA611F18E  
 Electric cooktop

Predecessor:

Successor:

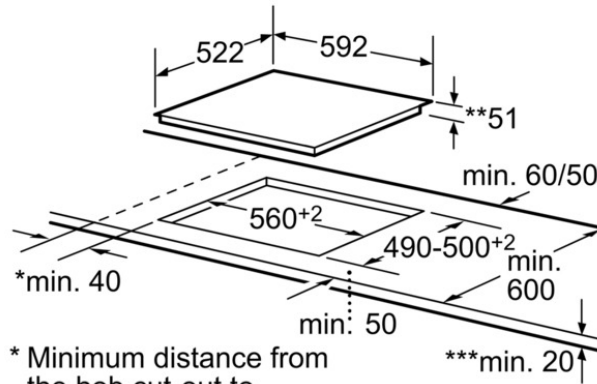
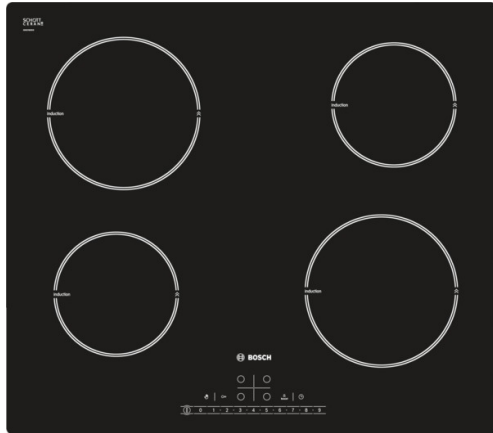
EAN code:  
 4242002736365

sales programme:



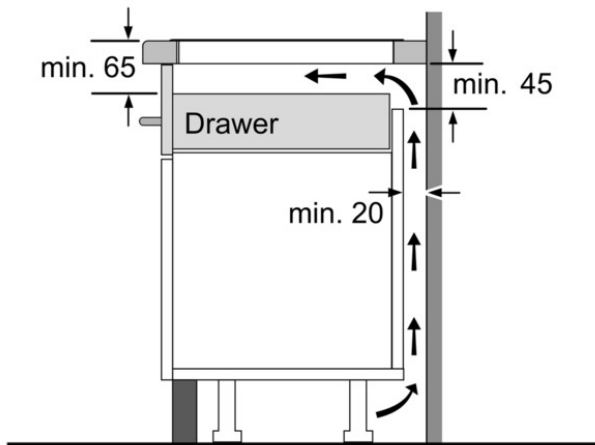
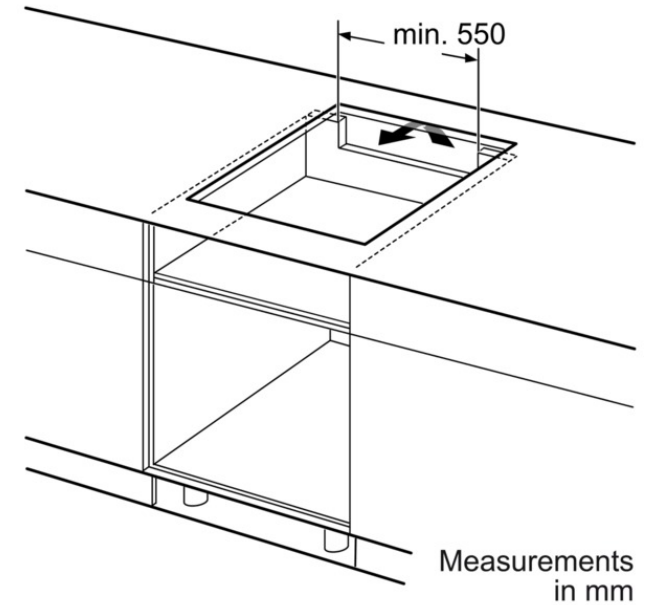
# BOSCH

PIA611F18E  
60 cm Induktions - Ceramic hob

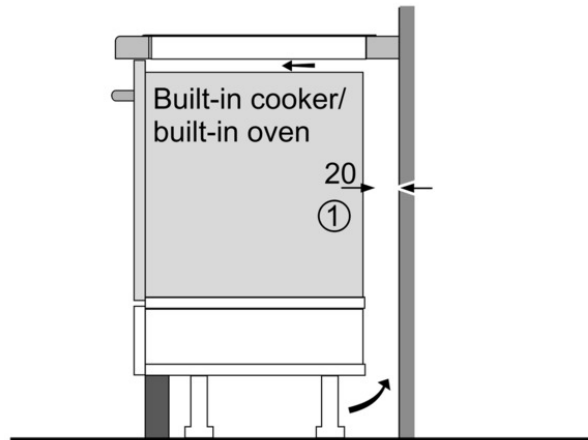


- \* Minimum distance from the hob cut-out to the wall
- \*\* Maximum recessed depth
- \*\*\* Min. 30 with a fitted oven underneath

Measurements in mm



Measurements in mm



- ① Ventilation gap must be present.

Measurements in mm