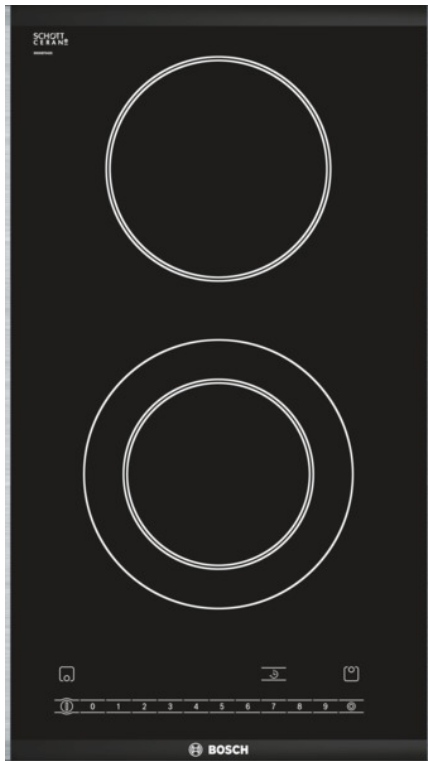




BOSCH



PKF375N14E 30 cm, Domino ceramic stainless steel

Features

- Facette front and rear, side profiles
- Can be combined with 60, 70, 80 and 90 cm hobs
- HighSpeed ceramic glass
- DirectSelect
- 2 HighSpeed cooking zones, including:
 - 1 dual zone
- Digital 2 stage residual heat indicator per cooking zone
- Electronic regulation 9 power levels
- Timer with switch-off function for all zones
- Wipe protection function
- Main switch
- Electronic display
- Zone extension activation with a Touch sensor
- Electric cable, without plug
- Safety switch-off

Technical Information

- Min. worktop thickness: 20 mm
- Dimensions of the product (HxWxD): 50 x 306 x 527 mm
- Required niche size for installation (HxWxD): 38 x 270 x 490-500 mm
- Connection cable 1 M
- Connected load: 3.2 kW

Included accessories

Optional accessories

- HEZ390090 Wok for radiant and induction hobs
- HEZ394301 Connecting strip

Alternative colors available

Technical Data

Characteristics

Product name/family : Vario/Domino cooking zone cera
 Built-in / Free-standing : CONSTR_TYPE.Built-in
 Energy input : Electric
 Total number of positions that can be used at the same time : 2
 Required niche size for installation (HxWxD) : 38 x 270 x 490-500
 Width of the product (mm) : 306
 Dimensions of the product (mm) : 44.0 x 306 x 527
 Net weight (kg) : 5.000
 Gross weight (kg) : 5.000
 Location of control panel : Hob front
 Color of surface : Black, Stainless steel
 Color of frame : Stainless steel
 Approval certificates : AENOR, CE
 Length electrical supply cord (cm) : 100.0

Consumption and connection features

Electrical connection rating (W) : 3200
 Voltage (V) : 220-240
 Frequency (Hz) : 60; 50

Bosch
 PKF375N14E
 Electric cooktop

Predecessor:

Successor:

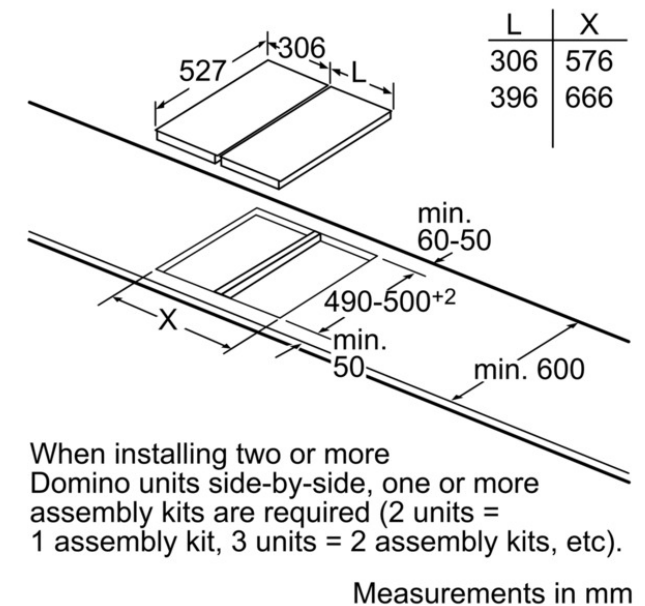
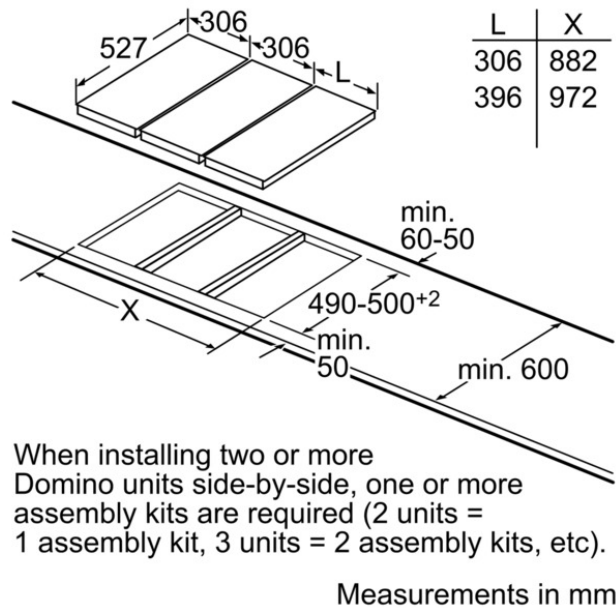
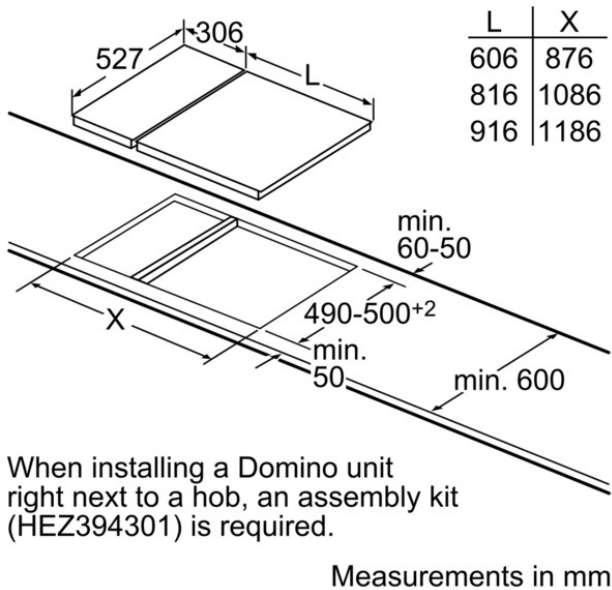
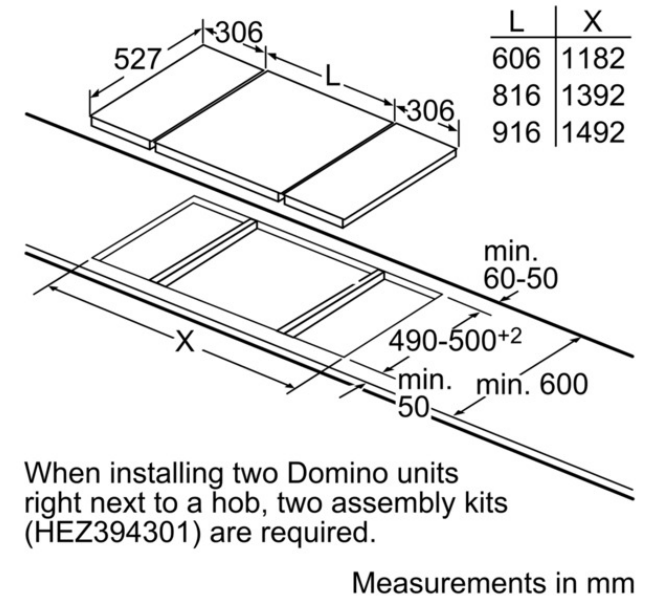
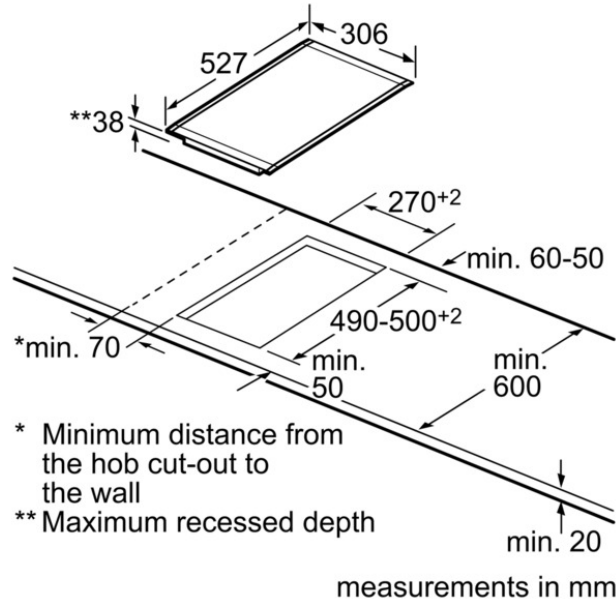
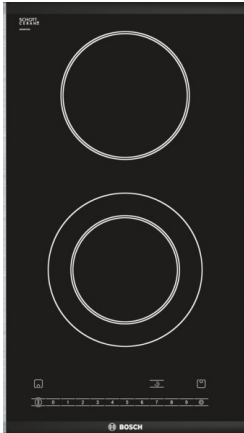
EAN code:
 4242002477572

sales programme:



BOSCH

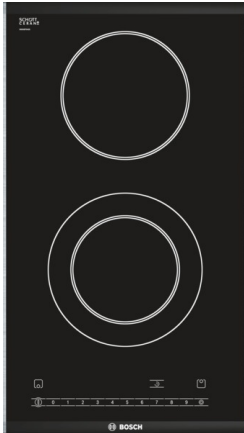
PKF375N14E
30 cm, Domino ceramic stainless steel



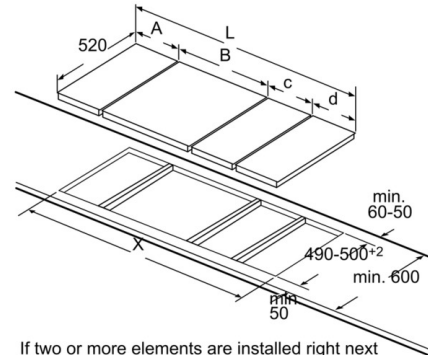


BOSCH

PKF375N14E
30 cm, Domino ceramic stainless steel



Picture for the table Domino combination possibilities with corresponding devices and cutout dimensions



If two or more elements are installed right next to one another, one or several installation kits are required (2 elements 1 installation kit, 3 elements 2 installation kits, etc.).

Cutout dimension (X) depending on the combination see table:

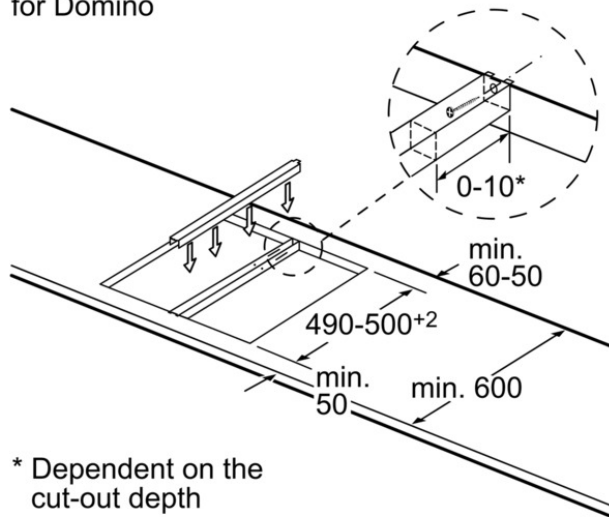
Domino combination possibilities with corresponding device and cutout dimensions

Width type: 30 40 60 70 80 90
Device width: 306 396 606 710 816 916

	A	B	C	D	L	X
2x30	306	306	-	-	612	576
1x30, 1x40	306	396	-	-	702	666
1x30, 1x60	306	606	-	-	912	876
1x30, 1x70	306	710	-	-	1016	980
1x30, 1x80	306	816	-	-	1122	1086
1x30, 1x90	306	916	-	-	1222	1186
2x40	396	396	-	-	792	756
1x40, 1x60	396	606	-	-	1002	966
1x40, 1x70	396	710	-	-	1106	1070
1x40, 1x80	396	816	-	-	1212	1176
1x40, 1x90	396	916	-	-	1312	1276
3x30	306	306	306	-	918	882
2x30, 1x40	306	306	396	-	1008	972
2x30, 1x60	306	306	606	-	1218	1182
2x30, 1x70	306	306	710	-	1322	1286
2x30, 1x80	306	306	816	-	1428	1392
2x30, 1x90	306	306	916	-	1528	1492
1x30, 2x40	306	396	396	-	1098	1062
1x30, 1x40, 1x60	306	396	606	-	1308	1272
1x30, 1x40, 1x70	306	396	710	-	1412	1376
1x30, 1x40, 1x80	306	396	816	-	1518	1482
1x30, 1x40, 1x90	306	396	916	-	1618	1582
2x40, 1x60	396	396	606	-	1398	1362
4x30	306	306	306	306	1224	1188
3x30, 1x40	306	306	306	396	1314	1278

Dimensions in mm

Assembly kit (HEZ394301)
for Domino



* Dependent on the cut-out depth

Measurements in mm