



# BOSCH



## PRB326B70E 30 cm Gas hob, Ceramic

### Features

- Cast iron pan supports
- Full flame safety
- One-hand ignition via control knob via control knobs
- 2 gas burners
- 1 rapid, 1 standard burner
- In front: Standard burner 1.9 KW
- Rear: High-speed burner 2.8 KW

### Technical Information

- Connecting cable 1 m
- Can be combined with domino glass ceramic hobs
- Preset of natural gas (20mbar)
- Liquid gas nozzles (28-30/37mbar) included
- Dimensions of the product (HxWxD): 52 x 306 x 527 mm
- Required niche size for installation: 45 mm x 270 mm x 490-500 mm

### Included accessories

### Optional accessories

- HEZ298010 nozzle set liquid gas G30/50mbar
- HEZ298105 Simmer plate
- HEZ298114 Small pot support
- HEZ394301 Connecting strip

### Technical Data

#### Characteristics

Product name/family : Vario/Domino gas hob w control  
 Built-in / Free-standing : CONSTR\_TYPE.Built-in  
 Energy input : Gas  
 Total number of positions that can be used at the same time : 2  
 Required niche size for installation (HxWxD) : 45 x 270 x 490-500  
 Width of the product (mm) : 306  
 Dimensions of the product (mm) : 47 x 306 x 527  
 Net weight (kg) : 7.000  
 Gross weight (kg) : 8.000  
 Residual heat indicator : without  
 Location of control panel : Hob front  
 Basic surface material : Ceramic  
 Color of surface : Black, Stainless steel  
 Color of frame : Black, Stainless steel  
 Approval certificates : CE  
 Length electrical supply cord (cm) : 100

#### Consumption and connection features

Electrical connection rating (W) : 1  
 Gas connection rating (W) : 4700  
 Current (A) : 3  
 Voltage (V) : 220-240  
 Frequency (Hz) : 50; 60

### Alternative colors available

Bosch  
 PRB326B70E  
 Gas hob

EAN code:  
 4242002706788

sales programme:

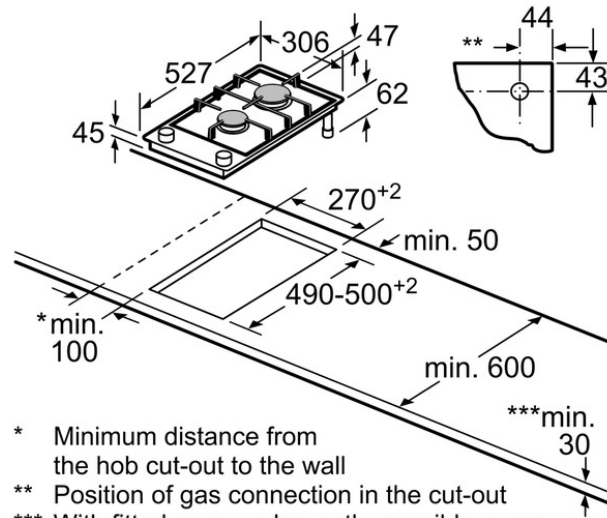
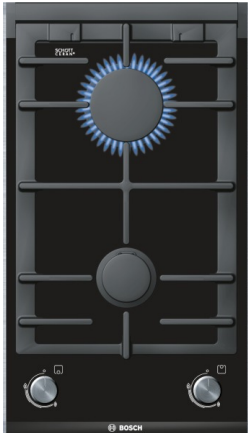
Predecessor:

Successor:



# BOSCH

PRB326B70E  
30 cm Gas hob, Ceramic



- \* Minimum distance from the hob cut-out to the wall
- \*\* Position of gas connection in the cut-out
- \*\*\* With fitted oven underneath, possibly more; see space requirements for the oven

measurements in mm