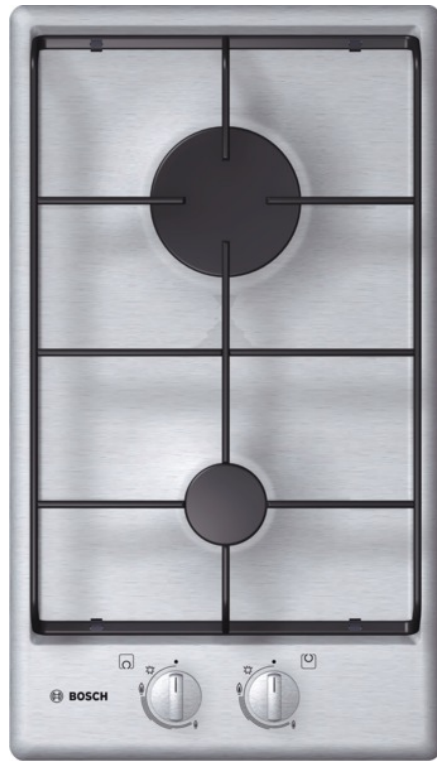




# BOSCH



## PCD345DEU 30 cm Gas hob with integrated controls, brushed steel

### Features

- Steel pan supports
- Full flame safety
- One-hand ignition via control knob via control knobs
- 2 gas burners
- 1 rapid, 1 economy burner
- In front: Economy burner 1 KW
- Rear: High-speed burner 3 KW

### Technical Information

- Connecting cable 1 m with plug
- Preset of natural gas (20mbar)
- Liquid gas nozzles (28-30/37mbar) included
- Dimensions of the product (HxWxD): 51.8 x 288 x 505 mm
- Required niche size for installation: 32 mm x 268 mm x 490 mm

### Included accessories

### Optional accessories

- HEZ298105 Simmer plate
- HEZ298114 Small pot support
- NEZ34VLA Domino hob connecting link
- NEZ34VLB Domino hob connecting link

### Alternative colors available

### Technical Data

#### Characteristics

Product name/family : Vario/Domino  
gas hob w control  
Built-in / Free-standing :  
CONSTR\_TYPE.Built-in  
Energy input : Gas  
Total number of positions that can be  
used at the same time : 2  
Required niche size for installation  
(HxWxD) : 32 x 268 x 490  
Width of the product (mm) : 288  
Dimensions of the product (mm) : 52 x  
288 x 505

Net weight (kg) : 4.000  
Gross weight (kg) : 5.000  
Residual heat indicator : without  
Location of control panel : Hob front  
Basic surface material : Stainless steel  
Color of surface : Stainless steel  
Color of frame : Stainless steel  
Length electrical supply cord (cm) : 100

#### Consumption and connection features

Electrical connection rating (W) : 1  
Gas connection rating (W) : 4000  
Current (A) : 3  
Voltage (V) : 230  
Frequency (Hz) : 50

Bosch  
PCD345DEU  
Gas hob with integrated controls

Predecessor:

Successor:

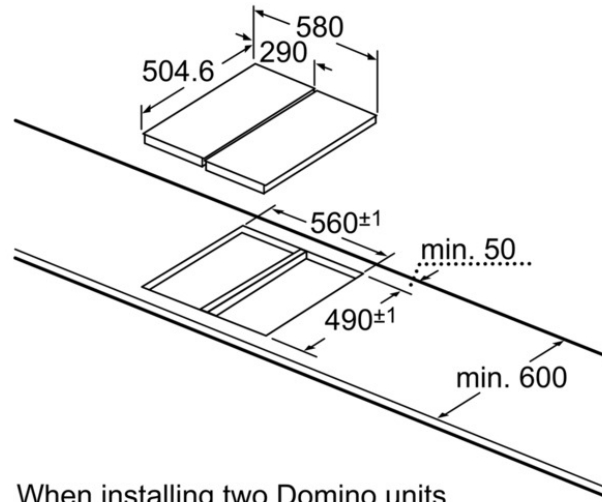
EAN code:  
4242002325415

sales programme:



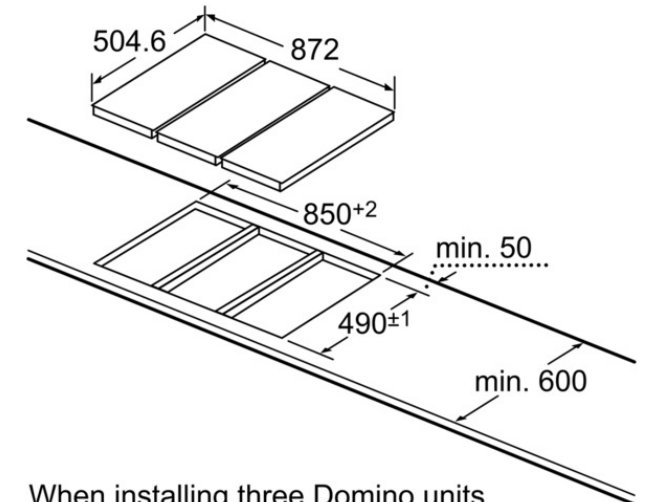
# BOSCH

**PCD345DEU**  
30 cm Gas hob with integrated controls, brushed steel



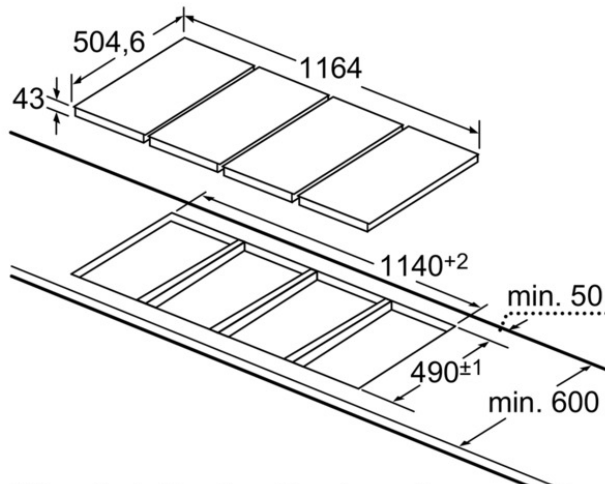
When installing two Domino units directly next to a hob, an assembly kit (NEZ 34VLA) is required.

Maße in mm



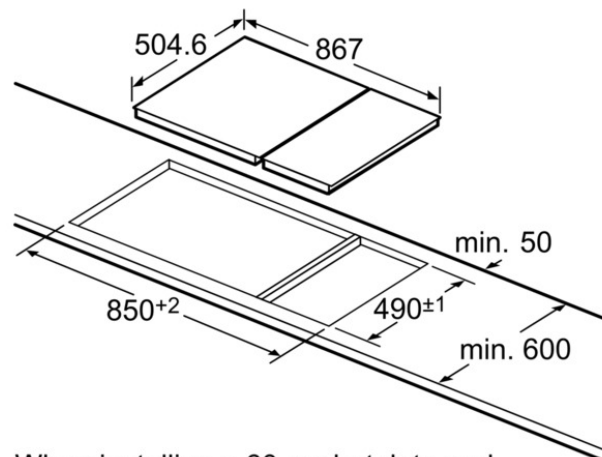
When installing three Domino units directly next to a hob, two assembly kits (NEZ 34VLA) are required.

Maße in mm



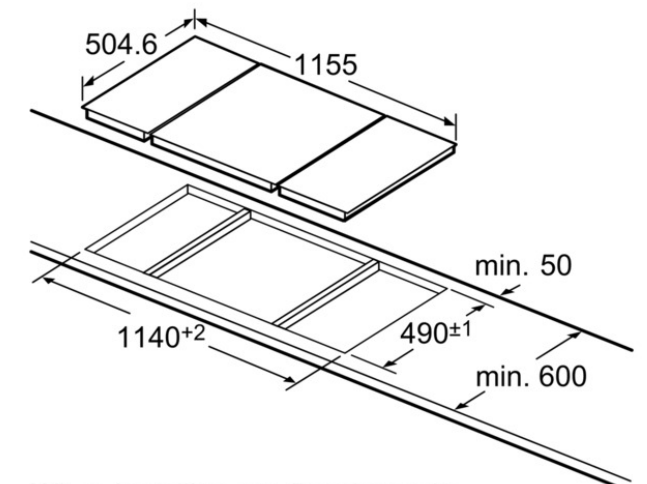
When installing four Domino units directly next to one another, three assembly kits (NEZ 34VLA) are required.

Maße in mm



When installing a 60 cm hotplate and a Domino unit directly next to one another, an assembly kit is required.

measurements in mm



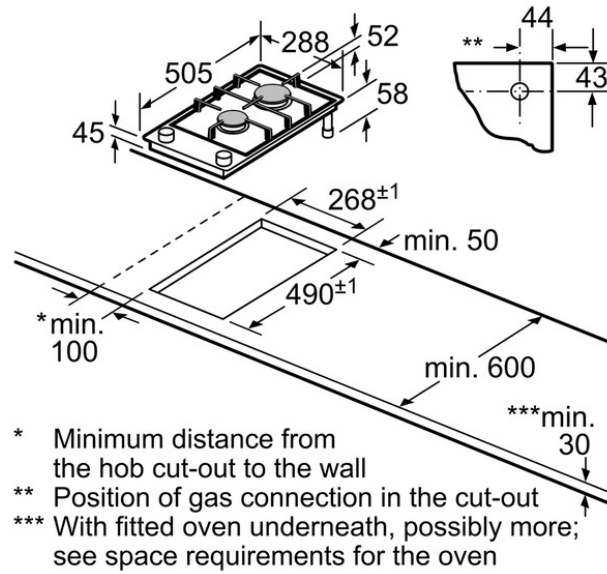
When installing two Domino units directly next to a hob, two assembly kits are required.

measurements in mm



# BOSCH

**PCD345DEU**  
30 cm Gas hob with integrated controls, brushed steel



- \* Minimum distance from the hob cut-out to the wall
  - \*\* Position of gas connection in the cut-out
  - \*\*\* With fitted oven underneath, possibly more; see space requirements for the oven
- measurements in mm