



BOSCH



DWB09W452B

Chimney hood, 90 cm
Box common design - Stainless steel

Features

- 900 mm wide
- Wall mounted hood
- Suitable for ducted or re-circulated extraction
- For recirculated extraction or CleanAir recirculation kit (accessory) needed
- Twin channel high performance fan motor
- Rocker switches for extractor speeds and light
- 3 speeds control
- Maximum extraction rate exhaust air 450 m³/h according to EN 61591
- 2 x high volt halog. light E14 30W
- Metal grease filter, dishwasher safe
- Special chimney solutions possible

Features

- Noise level according to EN 60704-3 und EN 60704-2-13 at max. normal use exhaust air: 63 dB(A) re 1 pW (48 dB(A) re 20 µPa sound pressure)
- Dimensions recirculating with CleanAir module (HxWxD):
711 x 900 x 500 mm - mounting with outer chimney
831-1161 x 900 x 500 mm - mounting with telescopic chimney
- Power rating: 160 W

Optional accessories

- Recirculating kit DHZ5385

Included accessories

Optional accessories

- DHZ1225 Chimney extension 1000 mm
- DHZ1235 Chimney extension 1500 mm
- DHZ5325 Recirculating kit
- DHZ5326 Active carbon filter
- DHZ9551 Brushed steel back panel
- DSZ5200 CleanAir Recirculation Kit
- DSZ5201 CleanAir Active carbon filter
- DSZ6200 CleanAir Recirculation Kit

Alternative colors available

Technical Data

Characteristics

Color chimney : Stainless steel
 Typology : Chimney
 Approval certificates : CE, VDE
 Length electrical supply cord (cm) : 130
 Height of the chimney (mm) : 582-894/582-1004
 Height of product, without chimney (mm) : 60
 Net weight (kg) : 13.000
 Type of control : mechanical
 Number of speed settings : 3
 Maximum output air extraction (m³/h) : 440
 Maximum output recirculating air (m³/h) : 300
 Number of lights : 2
 Diameter of air outlet (mm) : 150 / 120
 Grease filter material : Washable synthetic
 Odour filter : No
 Operating Mode : Convertible
 Optional accessories : DHZ1225, DHZ1235, DHZ5325, DHZ5326, DHZ9551, DSZ5200, DSZ5201, DSZ6200
 Type of lamps used : Halogen
 Total power of the lamps (W) : 60
 Grease filter type : Kassette

Consumption and connection features

Connection Rating (W) : 160
 Current (A) : 10
 Voltage (V) : 220-240
 Frequency (Hz) : 50-60
 Plug type : GB plug
 Installation typology : Wall-mounted
 Material body : Stainless steel
 Approval certificates : CE, VDE
 Plug type : GB plug
 Dimensions of the packed product (in) : 15.94 x 23.42 x 38.77
 Net weight (lbs) : 29
 Gross weight (lbs) : 38
 Motor location : Integrated motor in hood chimney
 No-return airflow flap : No
 Length electrical supply cord (cm) : 130
 Dimensions of the product, with chimney (if exists) (mm) : 642-1064 x 900 x 500
 Net weight (kg) : 13.000
 Gross weight (kg) : 17.000

Bosch
 DWB09W452B
 Chimney hood

EAN code:
 4242002714349

sales programme:

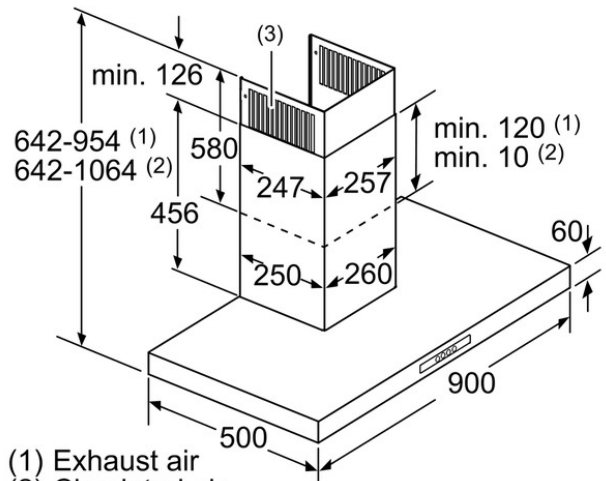
Predecessor:

Successor:



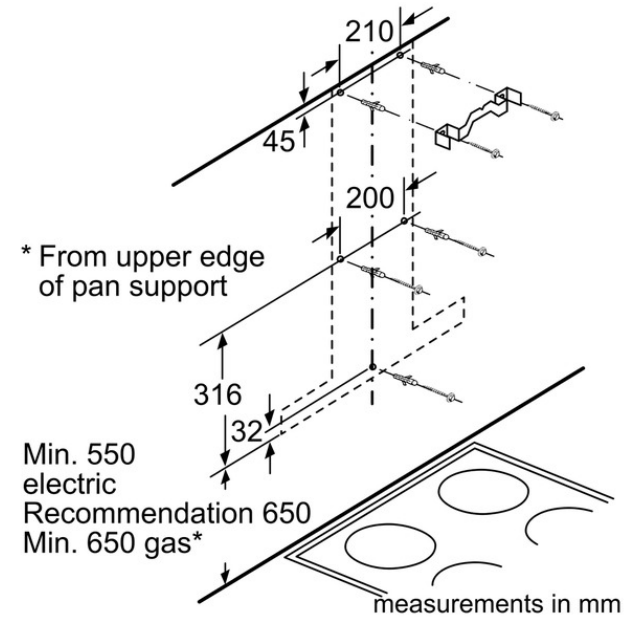
BOSCH

DWB09W452B
Chimney hood, 90 cm
Box common design - Stainless steel



- (1) Exhaust air
- (2) Circulated air
- (3) Air outlet - slots for exhaust air to be mounted facing down

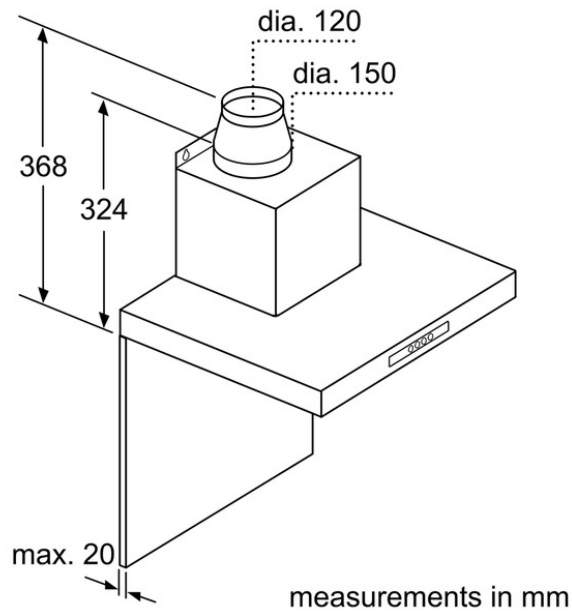
measurements in mm



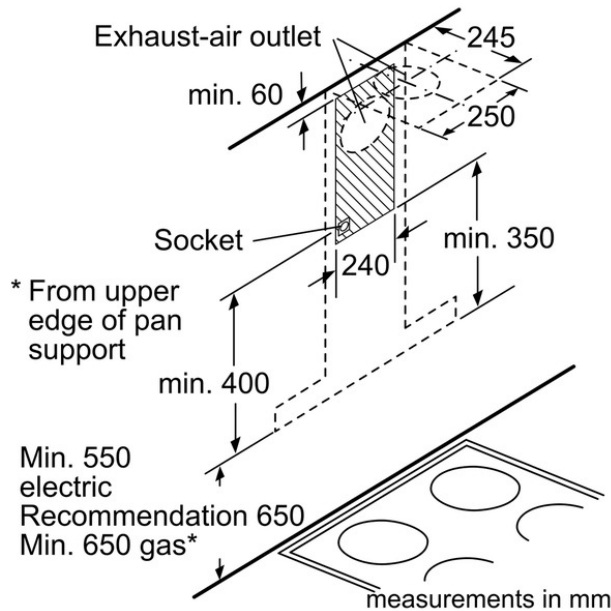
* From upper edge of pan support

Min. 550 electric
Recommendation 650
Min. 650 gas*

measurements in mm



measurements in mm



* From upper edge of pan support

Min. 550 electric
Recommendation 650
Min. 650 gas*

measurements in mm