



BOSCH



HBC36D754B

Combination steam oven

Features

- Colour display: red
- Rotary Control, Knobs illuminated, Start button, full metal, round, Pop-out controls
- with Shelf support rails, 4 PC slide-in level and Cavity volume: 35 l
- Full glass inner door
- heating-up control, autom. temperature proposal, actual temperature display, automatic programming, memory function; autom. boiling point detection, Cleaning help, Descaling programme
- Steam 100% 35 °C till 100 °C, Hot Air 30 °C till 230 °C, Hot air + steam 120 °C till 230 °C
- Functions: Regeneration, fermentation, Defrost, gentle cooking, pre-heating, warming
- 70 automatic programming
- Inside cavity
- Door design: U panel application
- Residual heat indicator
- Water tank with 1.3 l
- Water Level Indicator Yes
- Child lock, Safety switch

Technical Information

- Connecting cable with plug, 150 cm
- Construction type: built-in
- Dimensions of the product (HxWxD): 454 x 595 x 550 mm
- Required niche size for installation: 450 mm x 560 mm x 550 mm
- Total connected load electric: 1.9 KW

Included accessories

1 x STS tray-GN1/3-punched-40 mm deep, 1 x STS tray-GN1/3-unpunched-40 mm deep, 1 x STS tray-GN2/3-punched-40 mm deep, 1 x STS tray-GN2/3-unpunched-28 mm deep, 1 x grid

Optional accessories

- HEZ36D153G STS tray-GN1/3-punched 40 mm deep
- HEZ36D452 STS tray-GN2/3-unpunched-28mm deep
- HEZ36D453 STS tray-GN2/3-unpunched-40mm deep
- HEZ36D453G Stainless steel tray, GN 2/3, punched, 4
- HEZ36DB4 Roasting set
- HEZ36DR4 Combination grid

Alternative colors available

Technical Data

Characteristics

Color / Material Front : Stainless steel
 Built-in / Free-standing : Built-in
 Door opening : Drop down
 Required niche size for installation (HxWxD) : 450 x 560 x 550
 Dimensions of the product (mm) : 454 x 595 x 550
 Control Panel Material : Stainless steel
 Door Material : Glass
 Net weight (kg) : 25.000
 Approval certificates : CE, VDE
 Length electrical supply cord (cm) : 130.0
 Cooking method : Defrost, fermentation, gentle cooking, Hot Air, Hot air + steam, pre-heating, Regeneration, Steam 100%, warming

Consumption and connection features

Electrical connection rating (W) : 1900
 Current (A) : 10
 Voltage (V) : 220-240
 Frequency (Hz) : 50; 60
 Plug type : GB plug
 Approval certificates : CE, VDE
 Color / Material Front : Stainless steel
 Energy input : Electric
 Electrical connection rating (W) : 1900
 Current (A) : 10
 Voltage (V) : 220-240
 Frequency (Hz) : 50; 60
 Approval certificates : CE, VDE
 Plug type : GB plug
 Net weight (lbs) : 56
 Gross weight (lbs) : 63

Bosch
 HBC36D754B
 Combination steam oven

Predecessor:

Successor:

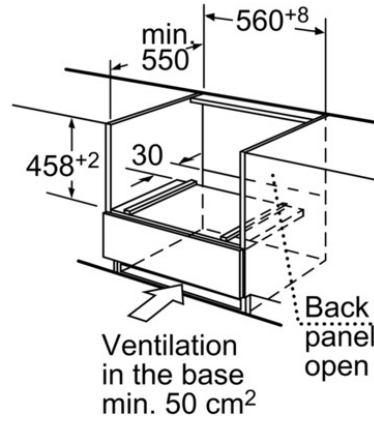
EAN code:
 4242002692753

sales programme:

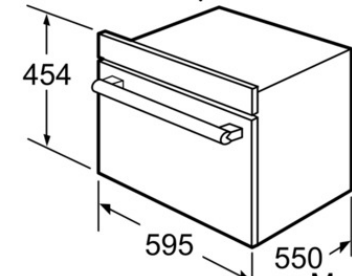
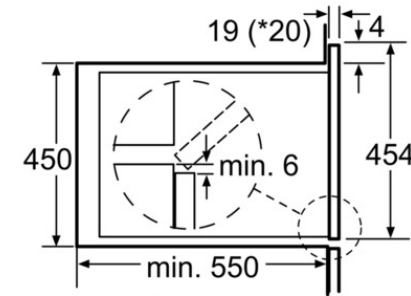


BOSCH

HBC36D754B
Combination steam oven



measurements in mm



* 20 mm for metal fascias
Measurements in mm

