



BOSCH



Bosch
WTB86300GB
Tumble dryer

Predecessor:

Successor:

EAN code:
4242002766348

sales programme:

WTB86300GB Condenser dryer

Main features

- Capacity: 8 kg
- Dryer type: Condenser
- Energy efficiency class: B
- Electronic humidity control
- Energy consumption 561.0 kWh per year, based on 160 drying cycles of the standard cotton programme at full and partial load, and the consumption of the low-power modes. Actual energy consumption per cycle will depend on how the appliance is used
- Energy consumption of the standard cotton programme at full load 4.63 kWh and energy consumption of the standard cotton programme at half load 2.61 kWh
- power consumption in off-mode 0.1 W and in left-on mode 1 W
- Duration of left-on mode: 0 min
- The programme Cotton cupboard dry used at full and partial load is the standard drying programme to which the information in the label and the fiche relates, this programme is suitable for drying normal wet cotton laundry and is the most efficient programme in terms of energy consumption for cotton.
- Weighted programme time of the standard cotton programme at full and partial load: 106 min.
- Programme time of the standard cotton programme at full load 137 min and programme time of the standard cotton programme at partial load 82 min.
- Condensation efficiency class B on a scale from G (least efficient) to A (most efficient).
- standard cotton programme at full load 88 % and average condensation efficiency of the standard cotton programme at partial load 88 %.
- Weighted condensation efficiency for the standard cotton programme at full and partial load: 88 %.
- Noise level: 65 dB (A) re 1 pW

Programmes

- Special programmes: woollen finish, mix, Time program warm, Time program cold, sportswear, Down wear, Super 40, Shirts 15

Options

- Anti crease cycle 120 min at the end of the programme
- Short-stroke buttons: start/pause, Low Heat, Signal, less ironing, programme length, Fine-tuning of drying aim, 24 h Ready

Convenience and Safety

- DUO-Tronic
- Fully electronic control dial for sensor drying programmes, timed and special programmes
- LED-Display for remaining time and 24 h end time delay, programme status indication, special functions
- Active flow drying system: Big Stainless steel with textile care structure, soft design paddles
- AntiVibration Design: More stable and silent
- Wool Drying Basket
- Protection filter for condensor

Included accessories

Optional accessories

- WMZ20500 Platform with pull-out
- WMZ20600 Wool in basket - accessory
- WTZ1110 Condenser drainage kit
- WTZ11400 Stacking kit with pollout shelf
- WTZ20410 Connection set

Alternative colors available

Technical Data

Characteristics

Built-in / Free-standing : Free-standing
Removable top : No
Door hinge : Right
Color / Material body : White
Length electrical supply cord (cm) : 145.0
Height with worktop (mm) : 842
Dimensions of the product (mm) : 842 x 598 x 636
Net weight (kg) : 40
Drum volume (l) : 112

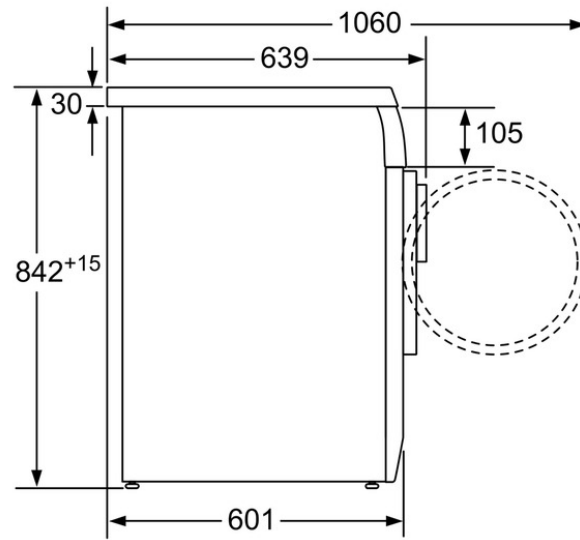
Consumption and connection features

Connection Rating (W) : 2600
Current (A) : 13
Voltage (V) : 220-240
Frequency (Hz) : 50
Approval certificates : CE, VDE
Drying process : automatic
Capacity cotton (kg) - NEW (2010/30/EC) : 8.0
Standard cotton programme : Cotton cupboard dry
Energy efficiency class (2010/30/EC) : B
Energy consumption electric dryer, full load - NEW (2010/30/EC) (kWh) : 4.63
Standard cotton programme time at full load (min) : 137
Energy consumption electric dryer, partial load - NEW (2010/30/EC) (kWh) : 2.61
Standard cotton programme time at partial load (min) : 82
Weighted annual energy consumption, electric dryer - NEW (2010/30/EC) (kWh) : 561.00
Power consumption in off-mode - NEW (2010/30/EC) : 0
Power consumption in left-on mode - NEW (2010/30/EC) : 1
Duration of the left-on mode - NEW (2012/30/EC) (min) : 0
Weighted programme time (min) : 106
Condensation efficiency class - NEW (2010/30/EC) : B
Average condensation efficiency full load (%) : 88
Average condensation efficiency partial load (%) : 88
Weighted condensation efficiency (%) : 88

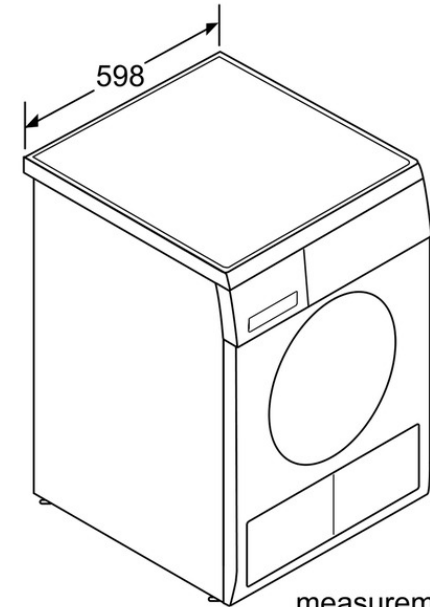


BOSCH

WTB86300GB
Condenser dryer



measurements in mm



measurements in mm