



BOSCH



Bosch
NCT615C01
Sealed plate cooktop

Predecessor:

Successor:

EAN code:
4242002319247

sales programme:

NCT615C01 Built-in sealed plate hob, Stainless steel

Features

- 4 hotplates
- 4 infinitely variable high-speed cooking zones
- Power on indicator light
- Surface-mounted controls
- Chrome nickel steel

Technical Information

- Min. worktop thickness: 30 mm
- Connection cable 1 M
- Dimensions of the product (HxWxD): 65 x 580 x 510 mm
- Required niche size for installation (HxWxD): 45 x 560 x 490 mm
- Connected load: 7 kW

Included accessories

Optional accessories

Alternative colors available

- NCT612C01:White
- NCT616C01:Black

Technical Data

Characteristics

Product name/family : Cooking zone sealed hotplates
 Built-in / Free-standing : Built-in
 Energy input : Electric
 Total number of positions that can be used at the same time : 4
 Type of control setting devices : Sword knobs
 Required niche size for installation (HxWxD) : 45 x 560 x 490
 Width of the product (mm) : 580
 Dimensions of the product (mm) : 65.0 x 580 x 510
 Net weight (kg) : 11.000
 Gross weight (kg) : 12.000
 Residual heat indicator : without
 Location of control panel : Hob front
 Color of surface : Stainless steel
 Approval certificates : AENOR, CE
 Length electrical supply cord (cm) : 100.0
 Sealed Burners : No
 Power of 1st heating element (kW) : 2
 Power of 2nd heating element (kW) : 1.5
 Power of 3rd heating element (kW) : 2
 Power of 4th heating element (kW) : 1.5

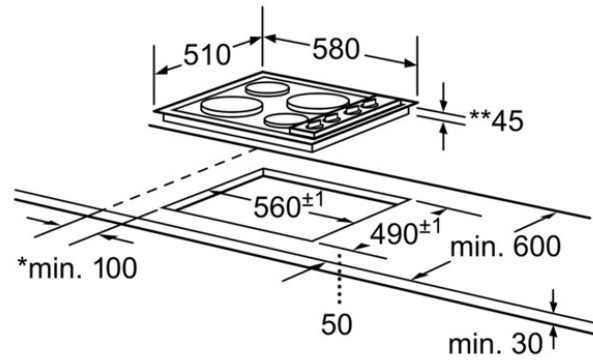
Consumption and connection features

Electrical connection rating (W) : 7000
 Current (A) : 25
 Voltage (V) : 230
 Frequency (Hz) : 50
 Main colour of product : Stainless steel
 Energy input : Electric
 Approval certificates : AENOR, CE
 Plug type : no plug
 Dimensions of the packed product (in) : 4.52 x 22.83 x 25.59
 Net weight (lbs) : 24
 Gross weight (lbs) : 26
 Total number of positions that can be used at the same time : 4
 Length electrical supply cord (cm) : 100.0
 Required niche size for installation (HxWxD) : 45 x 560 x 490
 Dimensions of the product (mm) : 65.0 x 580 x 510
 Net weight (kg) : 11.000
 Gross weight (kg) : 12.000



BOSCH

NCT615C01
Built-in sealed plate hob, Stainless steel



- * Minimum distance from the hob cut-out to the wall
- ** Maximum recessed depth

measurements in mm